

# Fiilex

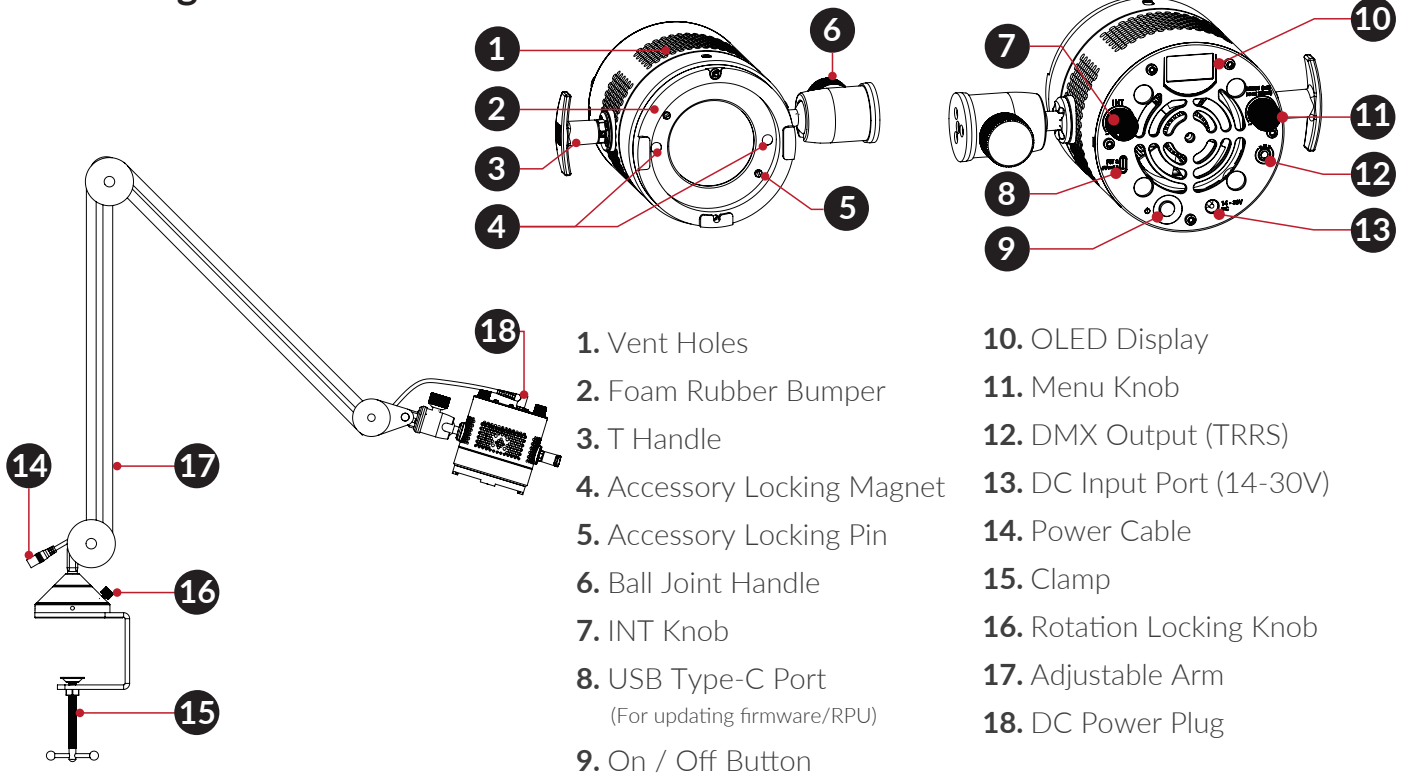
# V3

## User Guide

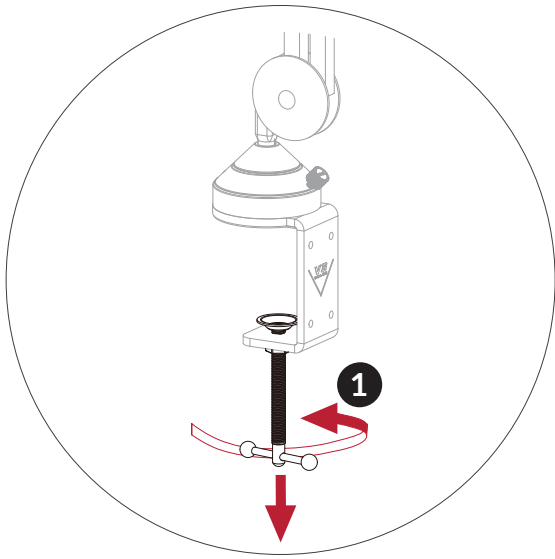
### Safety Instructions

- DO NOT obstruct the fixture's air vents.
- DO NOT install the light fixture in damp locations.
- DO NOT disassemble the light fixture. This will void the warranty.
- DO NOT look into the light source. Be cautious of the high-intensity beam.
- Use a safety cable (not included) when rigging the light fixture overhead.
- Shields and lenses shall be changed if they have become visibly damaged.
- If damaged, the luminaire must be repaired or replaced before further use.
- Only use Fiilex-approved power supply and accessories. Failure to do so may damage the fixture and will void the fixture's warranty.

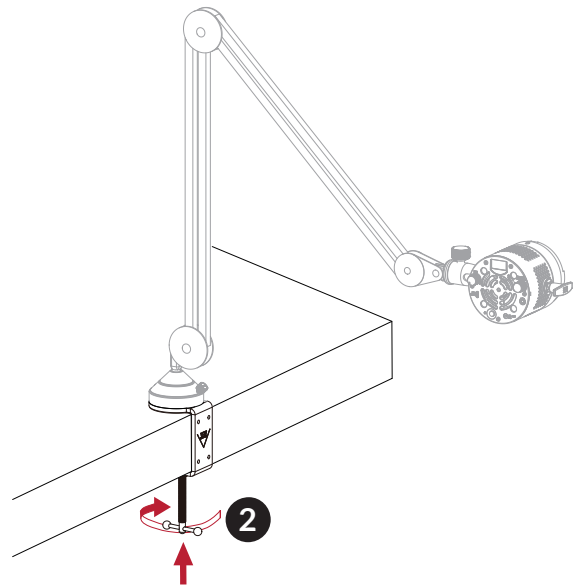
### Parts Diagram



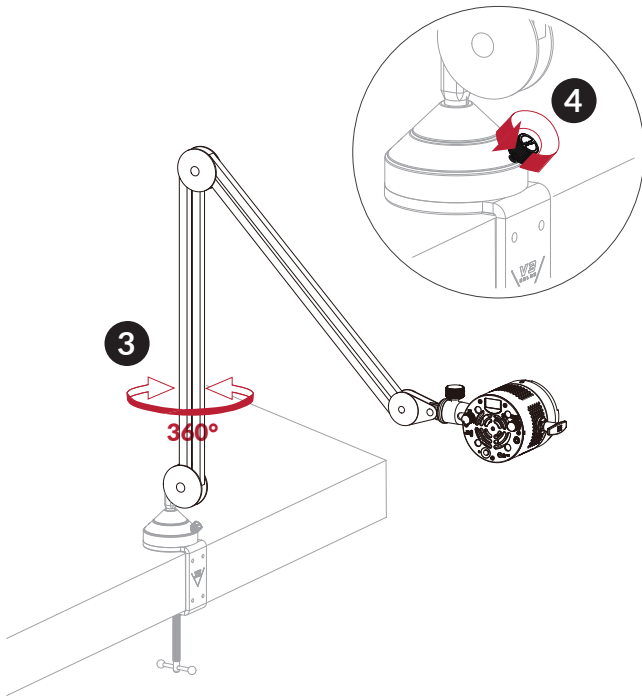
031725A



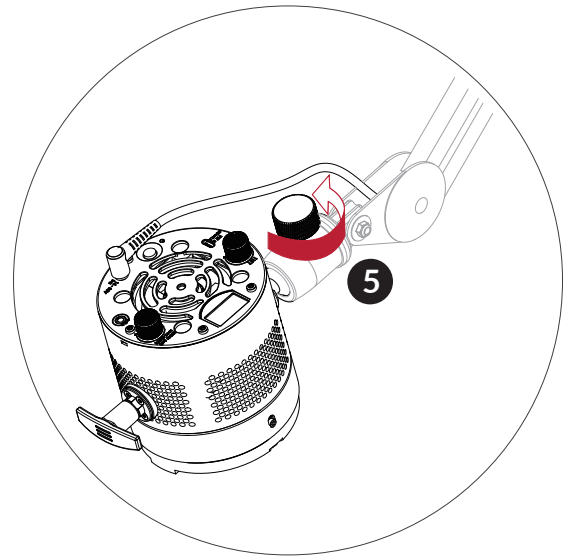
Twist the clamp handle (1) clockwise to loosen the clamp.



Insert the clamp at the side of desired surface. Twist the clamp handle (2) counter-clockwise to mount the fixture to the side of table.



Rotate the adjustable arm (3) to desired location and twist the rotation locking knob (4) to secure the position of the lamp.



Twist the ball joint handle (5) counter-clockwise to release V3 head. After adjusting the V3 head to the desired angle, reverse the process to secure.

## Accessories



RPU  
FLXRPUR



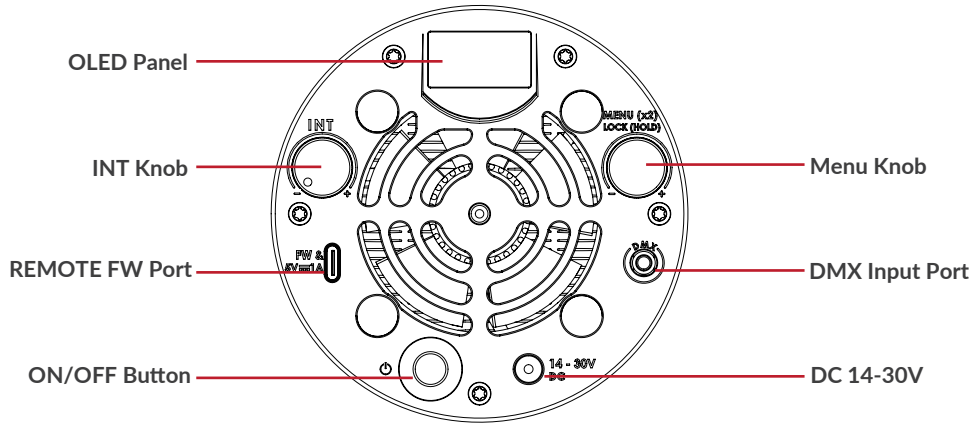
P3 Dome Diffuser 1-Stop  
FLXP3CLR-DOME1S



P3 Fresnel Lens 20deg  
FLXP3LR-FRNL20

# Control Panel Guide

Control panel overview







## Intensity Controls

\* Use the INT Knob to modify brightness in any mode

## Menu Knob Controls

\* Use the menu knob to adjust all other parameters, navigate the menu, and change modes.

 INT	 Menu	 Menu	 Menu
Twist	1x Press	Twist	2x Press
Adjust fixture output	Enter edit mode/ Press again to Confirm	Select/ Adjust	Enter Mode Selection and Advanced Setting

## Select / Change Mode

1) Once the fixture is powered on, twist menu knob until menu appears, tap once.



2) Twisting the menu knob will move through other settings that can be changed.

3) Press the menu button once while the Mode is on the screen.

Two arrows will appear in the center of the screen at the top and bottom.



4) Twist the menu knob until the appropriate mode is selected, and press the menu knob to enter.

\*A Full list of available modes can be found on the webpage.



## CCT Mode Operation

1) The "INT" knob controls the overall fixture output.



2) To make adjustments to the CCT, twist the menu knob until "CCT" is highlighted.

Press the menu knob once. Two arrows will appear in the above and below the current CCT value.

Twist the menu knob to make adjustments and press the menu knob to save.



3) To adjust the Green / Magenta shift, twist the menu knob until "GN" is highlighted.

Press the menu knob once. Two arrows will appear above and below the current GN value.

Twist the menu knob to make adjustments and press the menu knob to save.



## HSI Mode Operation

1) The "INT" knob controls the overall fixture output.



2) To make adjustments to the HUE, twist the menu knob until "HUE" is highlighted.

Press the menu knob once. Two arrows will appear above and below the current HUE value.

Twist the menu knob to make adjustments and press the menu knob to save.



3) To adjust the Saturation shift, twist the menu knob until "SAT" is highlighted.

Press the menu knob once. Two arrows will appear above and below the current SAT value.

Twist the menu knob to make adjustments and press the menu knob to save.



## RGBW Mode Operation

1) The "INT" knob controls the overall fixture output.



2) To make adjustments to the Red shift, twist the menu knob until "R" is highlighted.



3) Press the menu knob once. Two arrows will appear above and below the current red value.

Twist the menu knob to make adjustments and press the menu knob to save.



4) Repeat process in order to change the rest of the settings.

\*For advanced mode control and more options, visit the main Filelex webpage.